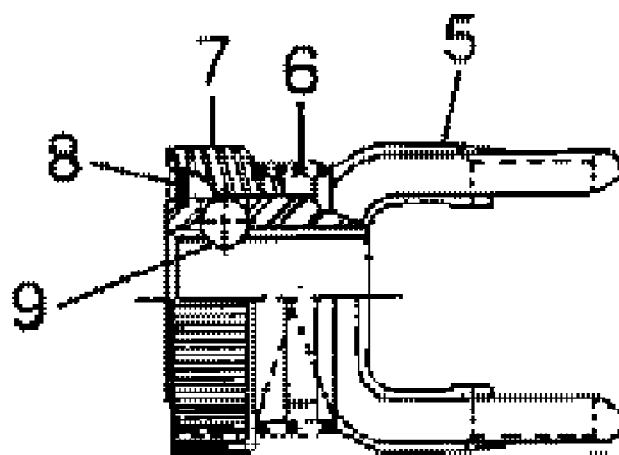
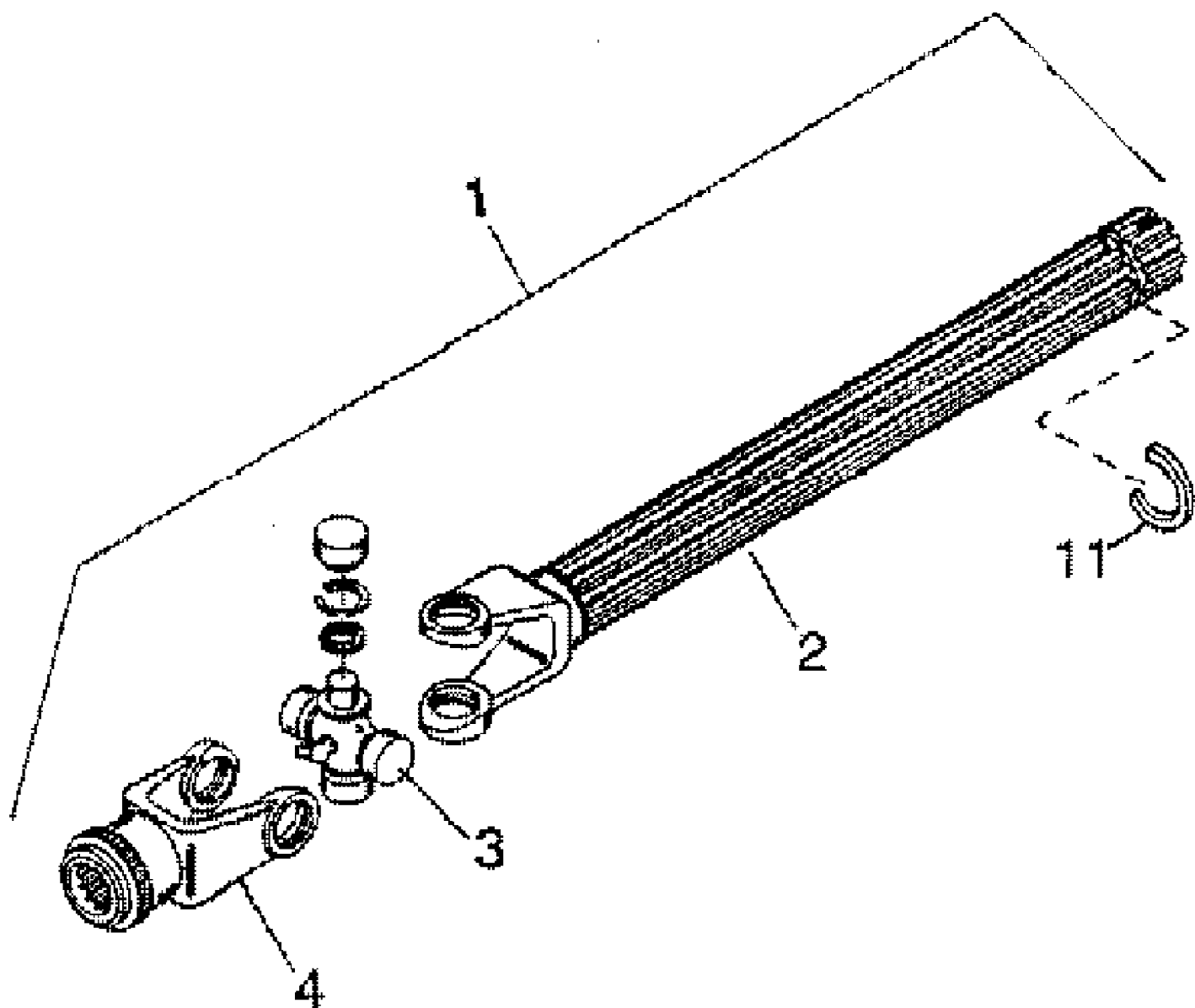


190-740-000 60" Deck (1998)
Blade Spindle Assembly

Page 2 of 11

Ref #	Part Number	Qty	S/P/F	Description
1	WM-66562	1		CW Blade spindle assembly
2	WM-66755	2		Seal, 1.063 x 2.004 x .256
3	WM-66842	1		Sleeve, .84 x 1.06 x .310
4	WM-04107	2		Bearing cone #M12649
5	WM-66843	1		Spindle housing with cups
6	WM-4106	2	S	Bearing Cup #M12610
7	WM-1267	1		45° 1/8 Pipe thread grease fitting Obtain Locally
8	WM-66841	1		Spindle shaft, 1.06 x 3.88-right hand threads



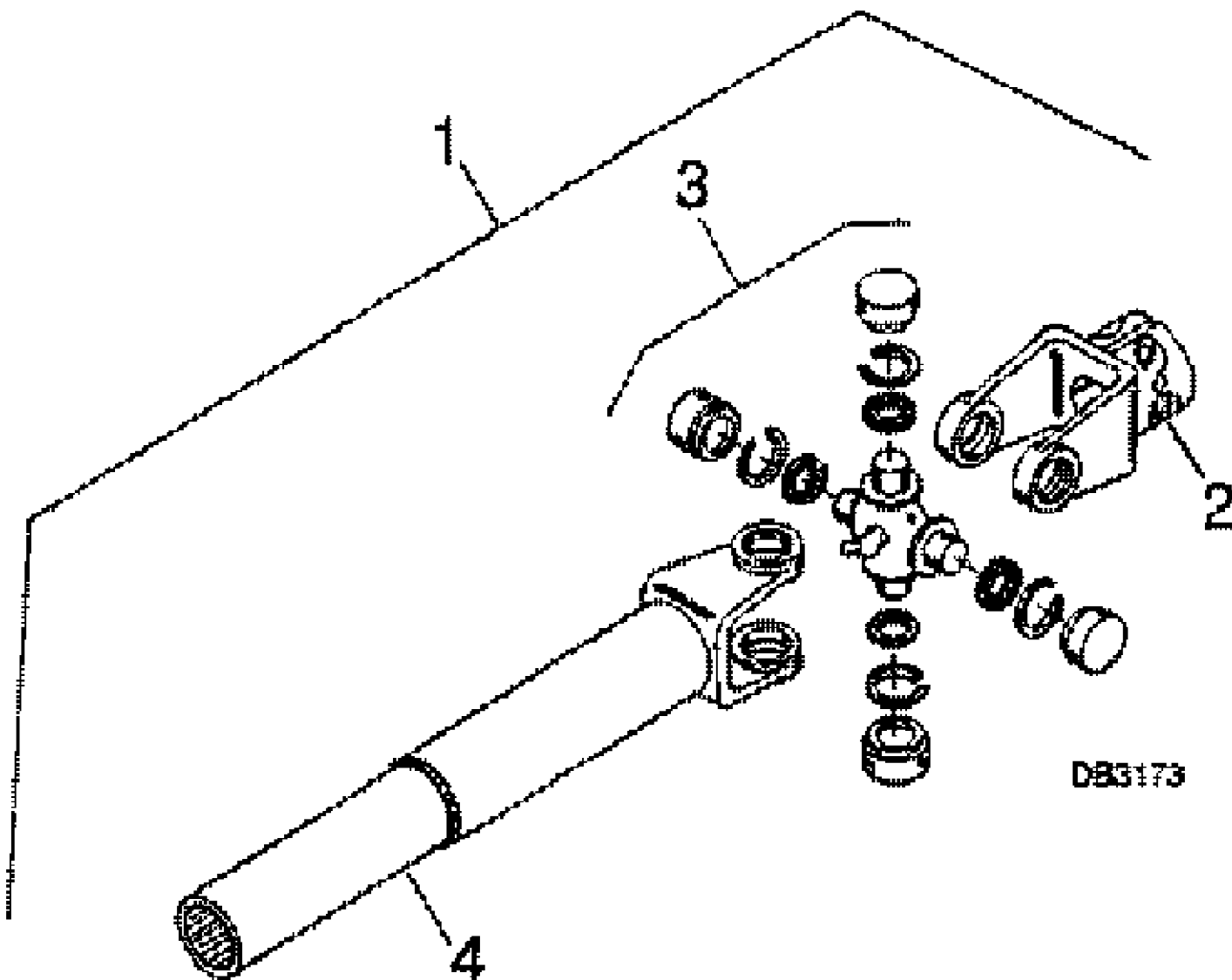
DB3174

10 - SLIDE LOCK REPAIR KIT

190-740-000 60" Deck (1998)
Drive Shaft - Front Half

Page 4 of 11

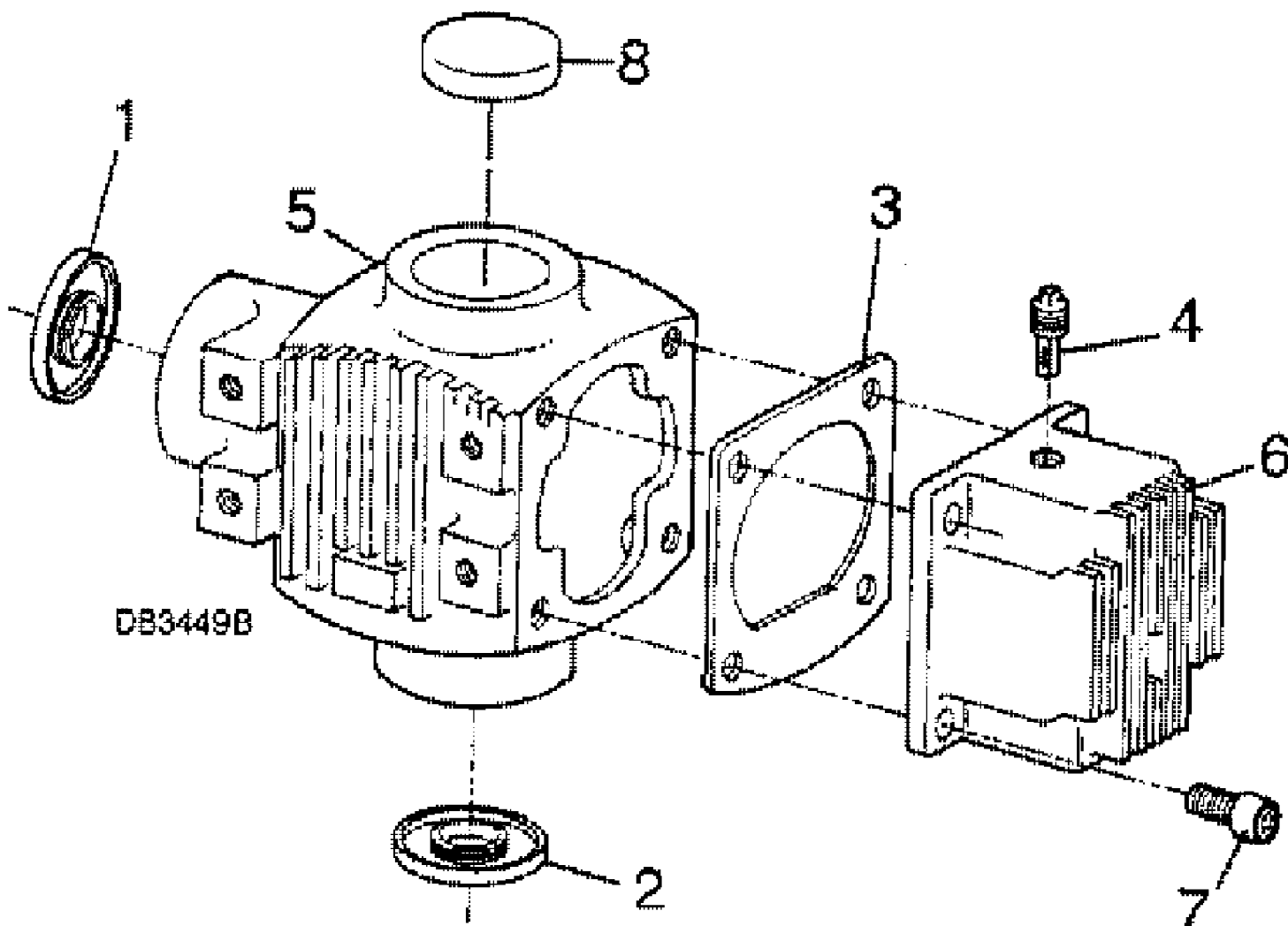
Ref #	Part Number	Qty	S/P/F	Description
1		1		Rear half U-joint drive Not Sold Separately
2	WM-67492	1		Yoke and shaft
3	WM-65689	1		U-Joint repair kit - #0600
4	WM-34508	1		Slide collar yoke assembly, 15-tooth #0600 (Includes items 5, 6, 7, 8 & 9
5		1		Slide collar yoke Not Sold Separately Not Sold Separately
6		1		Spring Not Sold Separately
7		1		Slide collar Not Sold Separately
8		1		Snap ring Not Sold Separately
9		2		Steel ball Not Sold Separately
10	WM-65690	1		Slide lock repair kit #0600 (Includes items 6, 7, 8 & 9)
11	WM-34578	1		.080 x .773 External retaining ring



190-740-000 60" Deck (1998)
Drive Shaft - Rear Half

Page 6 of 11

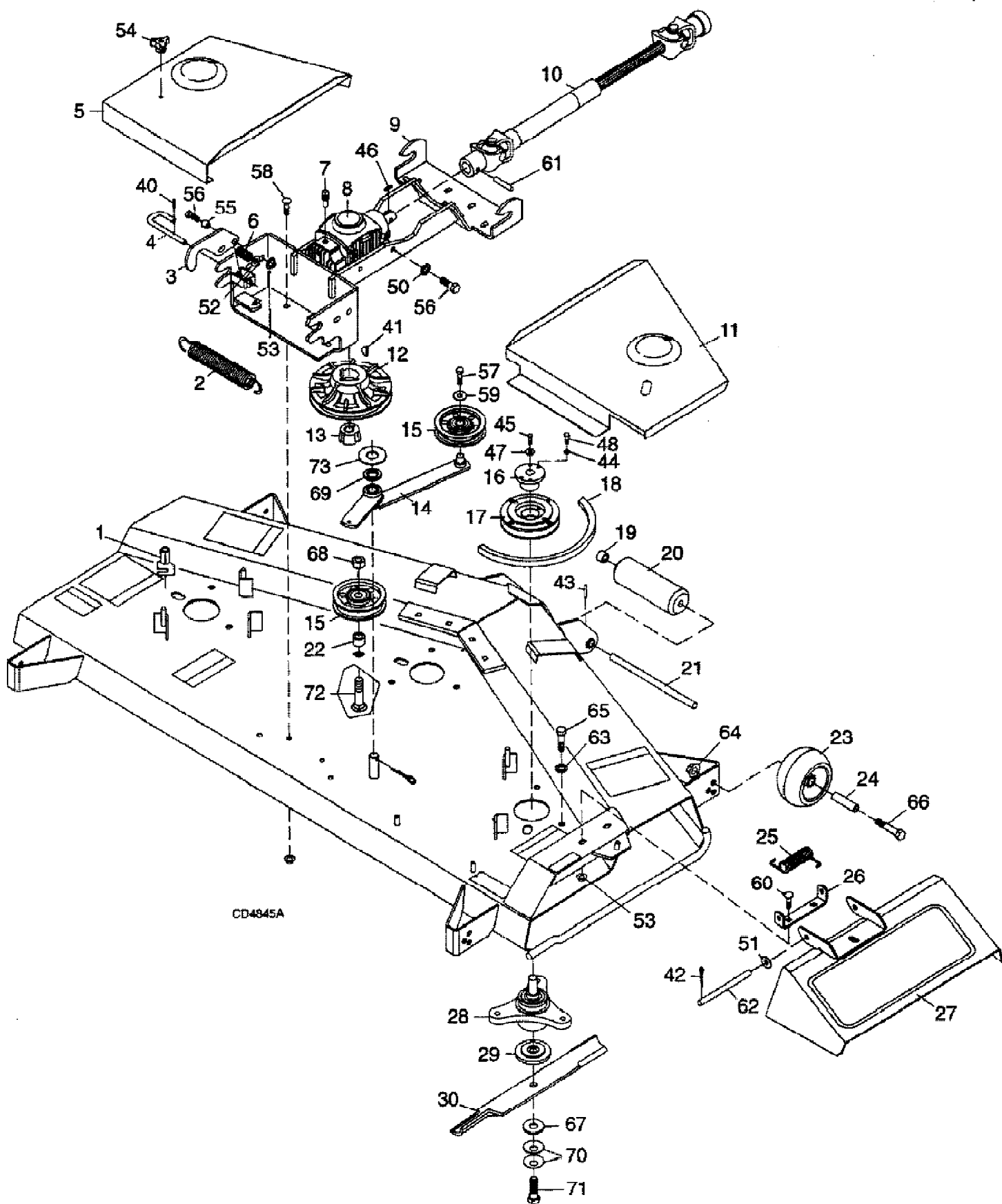
Ref #	Part Number	Qty	S/P/F	Description
1		1		Splined front half assembly Not Sold Separately
2	WM-34773	1		End yoke, 1.0 bore - #0600
3	WM-65689	1		U-Joint repair kit - #0600
4	WM-34774	1		Yoke, tube and sleeve



190-740-000 60" Deck (1998)
Gear Box Assembly

Page 8 of 11

Ref #	Part Number	Qty	S/P/F	Description
	WM-64933	1		Finned 1:1 bevel gearbox assembly, complete
1	WM-66755	1		Seal 1.063 x 2.004 x .256
2	WM-66545	1		Seal .866 x 1.85 x .315
3	WM-66519	1		Gearbox gasket
4	WM-34576	1		Plastic gearbox vent plug
5	WM-66512	1		Finned housing
6	WM-66517	1		Finned cover
7	WM-15625	4		3/8-16 x 3/4 Socket head cap screw
8	WM-66525	1		Cap, steel 1.85 OD



Ref #	Part Number	Qty	S/P/F	Description
1	WM-34531	1		Belt guide assembly
2	WM-31360	1		Spring-extension 1.45 x .20 x 8.1 x 35
3	WM-66479	2		Link - .25 x 2.50 x 6.08
4	WM-66427	2		Pin, Bent-U .375 diameter x 3.00
5	WM-34597	1		Left belt shield
6	WM-21957	2		Spring-compression .58 x .08 x 2.4 x 40
7	WM-34576	1		Plastic gearbox vent plug
8	WM-64933	1		Finned 1:1 bevel gearbox assembly
9	WM-66470	1		Gearbox stand
10	WM-67490	1		Drive asy complete - 0600, 14.0 x 17.7
11	WM-34596	1		Right belt shield
12	WM-66428	1		Sheave - 6.65 PD offset
13	WM-66505	1		.81 Bore taper lockbushing with set screws
14	WM-66476	1		Idler arm
14	WM-16162	1		3/4 ID x 1 OD x 1-1/2 Bronze bushing
15	WM-24260	2		4-7 1/6 OD Flat idler & bearing
15	WM-24259	2		.625 ID x 1.78 OD Ball bearing
16	WM-34425	3	S	H 3/4 Straight bore bushing with key P.1
17	WM-34505	3		1 BK 4.6 H Sheave
18	WM-1469	1		1 V-Belt W113
19	WM-27887	1		1/2 x 3/4 x 3/4 Sleeve
20	WM-16173	1		Front roller
21	WM-66981	1		Pin-headless .5 x 9.75
22	WM-1791	1		5/8 x 1 x 9/16 Sleeve
23	WM-67365	4		Roller-scalp 4.94 x 2.75
24	WM-66446	4		Sleeve - .505 x .625 x 2.63
25	WM-66815	1		Spring-Torsion .207 x .94 x 4.86
26	WM-66865	1		Deck bracket
27	WM-66866	1		Discharge chute
28	WM-66562	3		Clockwise blade spindle assembly
29	WM-33736	3		5/8 ID x 3 x 7/16 Shoulder washer
30	WM-34615	3	S	Clockwise 20-3/4 Flat blade
40	WM-35626	1		1/8 x 5/8 Spring pin
41	WM-62233	1		.187 x .75 Woodruff key
42	WM-1256	1		3/16 x 1 Cotter pin Obtain Locally
43	WM-4115	1		3/16 x 1-1/8 Spring pin Obtain Locally
44	WM-1985	1		1/4 Standard lockwasher Obtain Locally
45	WM-2457	1		1/4 NC x 3/4 Hex head cap screw GR5 Obtain Locally
46	WM-62234	1		1/4 Square x 7/8 key Obtain Locally
47	WM-32806	1		1/4 x 7/8 x 7 Gauge washer
48	WM-10378	1		1/4 NC x 1 Hex head cap screw GR5 Obtain Locally
?49	WM-1285	1		1/4 x 1-1/2 Cotter pin Obtain Locally
50	WM-838	1		3/8 Standard lockwasher Obtain Locally
51	WM-565	1		3/8 Standard flat washer Obtain Locally
52	WM-21757	1		3/8 Standard SAE flat washer Obtain Locally
53	WM-14350	1		3/8 NC Flange hex locknut
54	WM-66840	1		3/8 NC 3-Prong knob
55	WM-35092	1		3/8 x 1/2 x 9/32 Sleeve
56	WM-839	1		3/8 NC x 1 Hex head cap screw GR5 Obtain Locally

190-740-000 60" Deck (1998)
Main Frame Assembly

Page 11 of 11

Ref #	Part Number	Qty	S/P/F	Description
57	WM-64518	1		3/8 NF x 1 Hex head cap screw GR5
58	WM-6697	1		3/8 NC x 1 Carriage bolt
59	WM-21298	1		3/8 x 1 x 7 Gauge washer
60	WM-24890	1		3/8 NC x 1-1/4 Carriage bolt Obtain Locally
61	WM-11606	1		3/8 x 1-1/2 Spirol pin
62	WM-11760	1		3/8 x 7-1/4 Pin and chain
63	WM-855	1		1/2 Extra-heavy lockwasher Obtain Locally
64	WM-11900	1		1/2 NC Flange hex locknut Obtain Locally
65	WM-4119	1		1/2 NF x 1 Hex head cap screw GR5
66	WM-14069	1		1/2 NC x 3-1/4 Hex head cap screw GR5 Obtain Locally
67	WM-692	1		5/8 Standard flat washer Obtain Locally
68	WM-6239	1		5/8 NC Hex locknut Obtain Locally
69	WM-22060	1		5/8 x 1 x 1/4 Felt seal
70	WM-10635	1	/P	5/8 x 1-3/4 x 14 Gauge cup washer
71	WM-34582	1		5/8 NC x 2 Hex head cap screw GR5 Nylok
72	WM-5836	1		5/8 NC x 2-1/2 Carriage bolt Obtain Locally
73	WM-11036	1		3/4 x 1-1/2 x 18 Gauge shim washer
	WM-34590	1		Spindle lock wrench (Not shown)
	WM-34595	1		Spindle wrench handle (Not shown)